

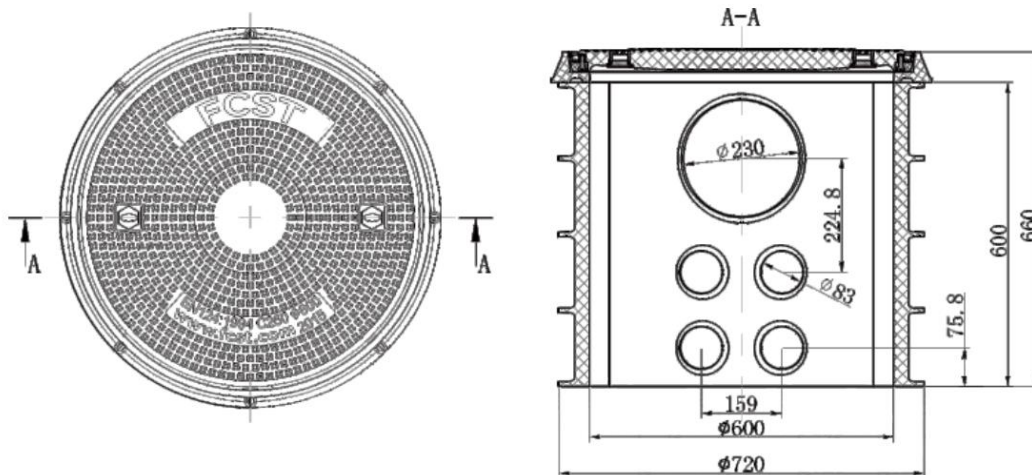
FCST-TH-SMC10 SMC TELECOM MANHOLE CHAMBER



- Modular design allows various depth configurations.
- Easy assembly with basic hand tools only. Easy assembly with basic hand tools only.
- Splitable porting panels uniquely allow retrofitting to existing networks or new builds alike.
- Unique multi-port knock-outs give industry leading interface with all Duct and Multiduct options.

Product Size

External Size(L*W*H)	Internal Dimensions(L*W*H)	Manhole Cover Load Grade
φ720*680mm (φ28.347"x26.772")	φ600*600mm (φ23.623"x23.623")	A15/B125/C250/D400



Ordering Information

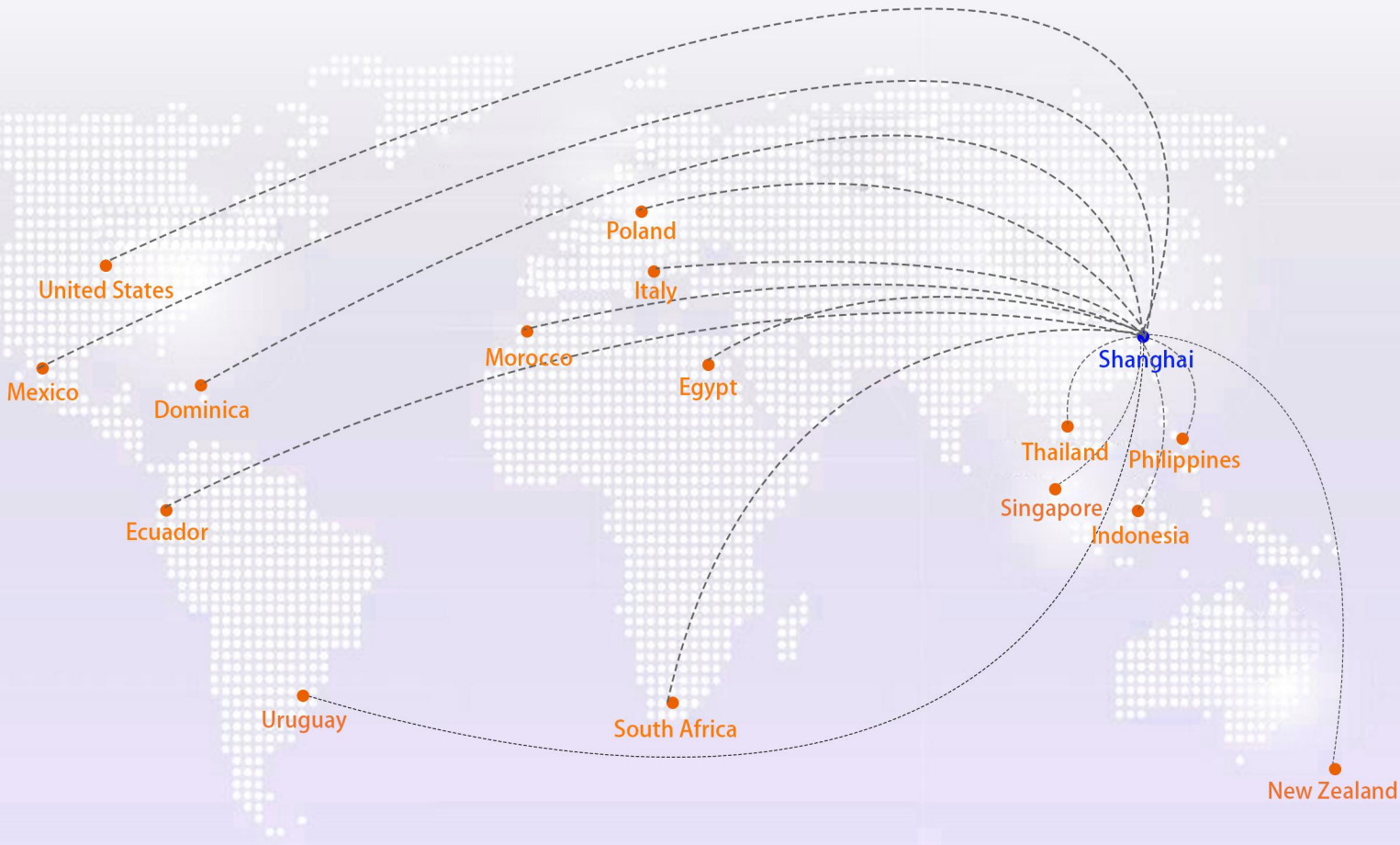
FCST-TH-SMC10 Telecom Manhole Chamber-

Load Grade

1	A15
2	B125
3	C250
4	D400



Fiber Cable Solution Technology Co.,Ltd.



Overseas Agency

www.fcst.com www.micro-duct.com



FCST - Better FTTx, Better Life.

At FCST, we manufacture top-quality microduct connectors, microduct closure, telecom manhole chambers and fiber splice boxes since 2003. Our products boast superior resistance to failure, corrosion, and deposits, and are designed for high performance in extreme temperatures. We prioritize sustainability with mechanical couplers and long-lasting durability.

FCST aspires to a more connected world, believing everyone deserves access to high-speed broadband. We're dedicated to expanding globally, evolving our products, and tackling modern challenges with innovative solutions. As technology advances and connects billions more devices, FCST helps developing regions leapfrog outdated technologies with sustainable solutions, evolving from a small company to a global leader in future fiber cable needs.

Rm402 block A Watts gallop tower No.2816 YiXian Rd, BaoShan District, Shanghai 200441.

Tel:+86-21-38726791 +86-21-38726792 Fax:+86-21-38726793